

Instruction Manual
ESCO Part #10106

DUAL TIRE BEAD BREAKER



WARNING **SAFETY PRECAUTION**

This product, as well as all Tire Tools, should never be used by persons unless they have been trained properly according to O.S.H.A. Regulation #29CFR 1910.177 entitled "Servicing Single-Piece & Multipiece Rim Wheels." Copy of the Regulation is enclosed or contact this manufacturer.



15270 Flight Path Drive | Brooksville, FL 34604
Phone (352) 754-1117 | Toll Free (800) 352-9852 | Fax (352) 754-4508
Web Site: www.esco.net | Email Address: sales@esco.net

TO OPERATE TOOL

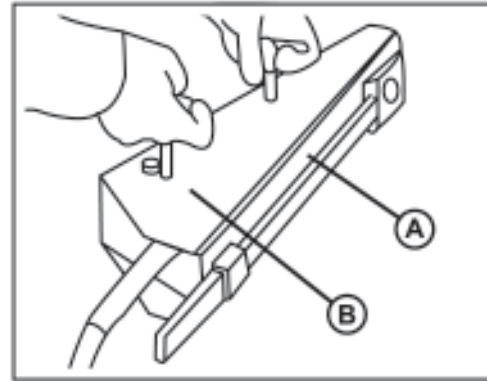
1. Jack the tractor up until the duals are clear of the ground. Place jack stands under the axle of the tractor and lower the tractor onto the jack stands.

DO NOT WORK ON TIRE/WHEEL ASSEMBLY WITHOUT JACK STANDS.

2. Deflate outside dual and evacuate any ballast that might remain in the tire.
3. Place the #10106 tool between the duals as shown in **Figure 1**. With the drive spade **(A)** faced toward the inside bead of the outside dual, place the tip of the tool against the side wall of the tire as close to the rim lip as possible.

CAUTION: DO NOT PUT THE DRIVE SPADE (A) OF THE TOOL AGAINST THE RIM.

4. Apply a small amount of pressure with the hydraulic pump, just enough to allow the **(B)** side of the tool to contact the rim flange of the inside dual.
5. Using a hammer or mallet, drive the sliding spade **(A)** between the bead seat on the rim and the tire bead of the outside dual. Keep applying pressure with the hydraulic pump until the bead separates from the rim.
6. Rotate the tire wheel in small increments and repeat steps #3 and #4, until the bead is separated from the rim as shown in **Figure 2**.



Diagram

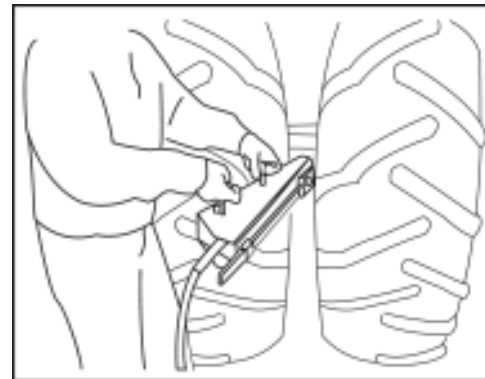


Figure 1

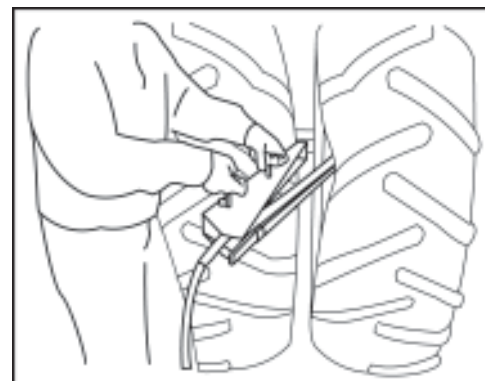


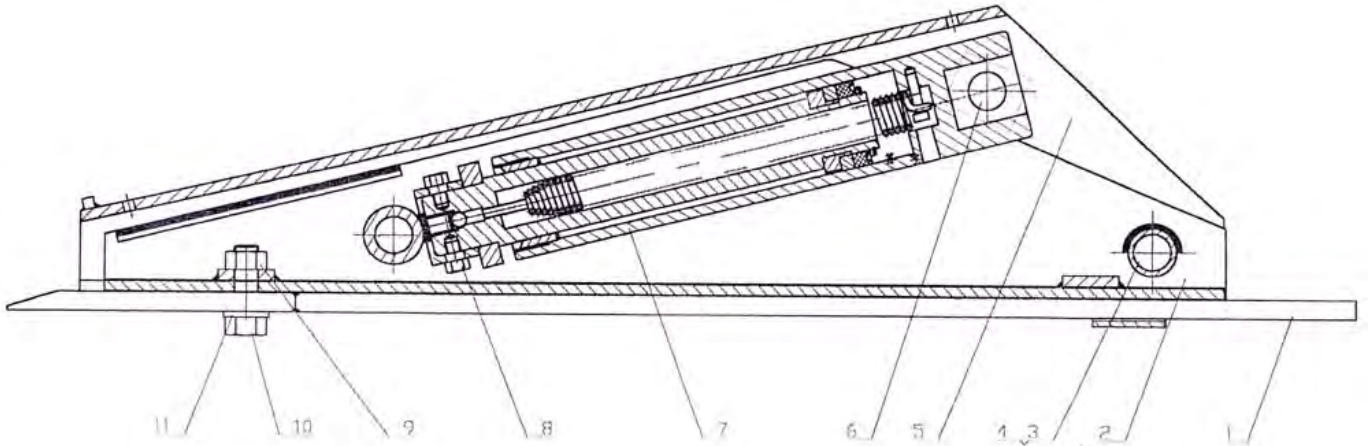
Figure 2

WARNING

SAFETY PRECAUTION

This product is not intended to be used as a lifting device.

EXPLODED DRAWING



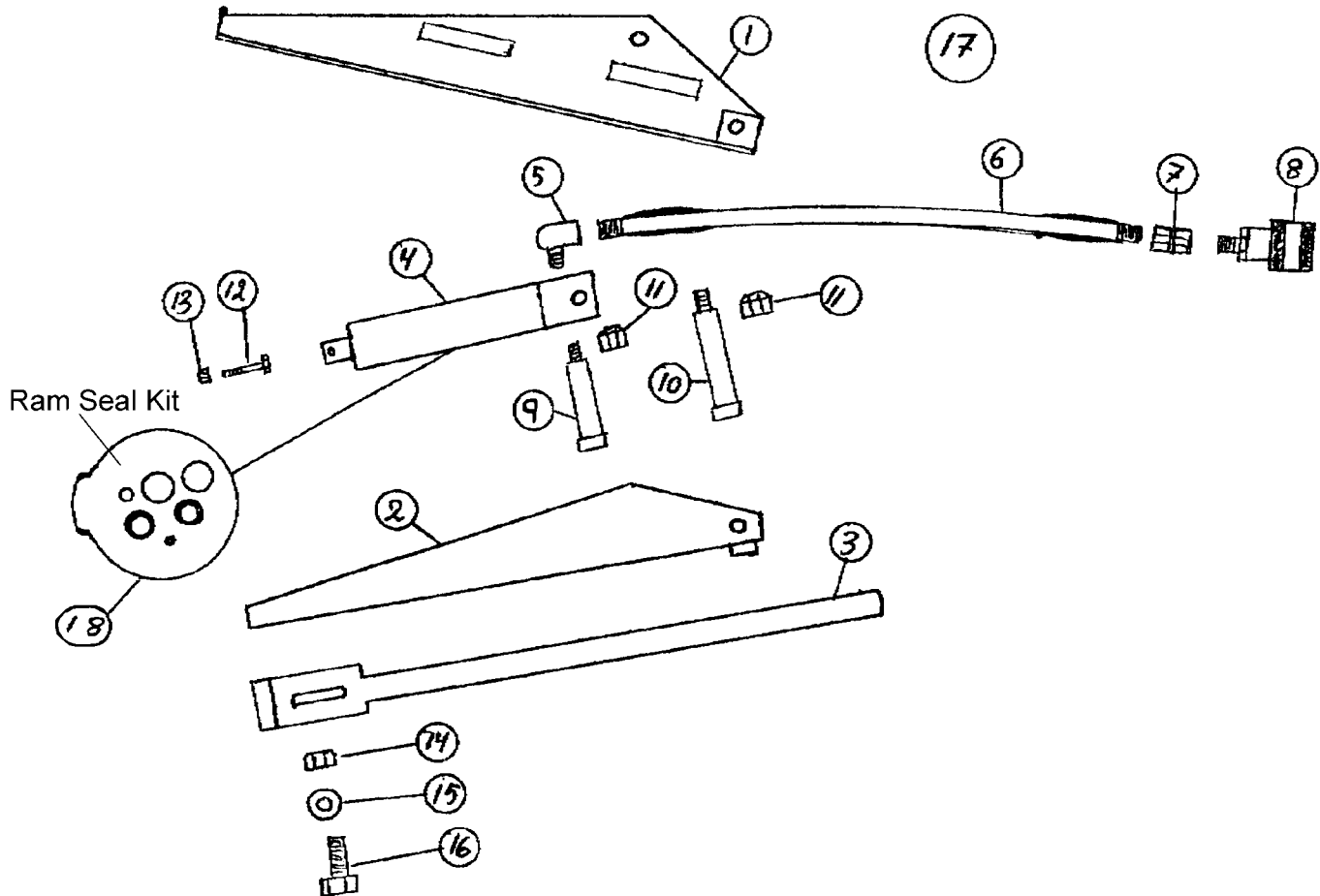
Model 10106

Part No.	Description	Q'ty	Part No.	Description	Q'ty
1	Handspike	1	7	Cylinder	1
2	Rocker	1	8	Screw	1
3	Screw	1	9	Nylon Nut	1
4	Nylon Nut	2	10	Screw	1
5	Support Stand	1	11	Washer	1
6	Screw	1			



Repair Parts Sheet

Dual Agricultural Tractor Tire Bead Breaker Model 10106



Item No.	Part No.	Description
1	40002	Outside Frame
2	40001	Inside Frame
3	40019	Push Spade
4	40003	Ram
5	40021	Elbow
6	40006	Hydraulic Hose
7	40020	Adapter, 3/8" Female
8	10606	Coupler
9	40017	Shoulder Bolt 3/4"

Item No.	Part No.	Description
10	40016	Shoulder Bolt 3/4"
11	40018	Lock Nut
12	40007	Retainer Bolt
13	HCA14	Lock Nut 1/4"
14	HC55	Lock Nut 1/2"
15	600C57	Flat Washer
16	04001	Bolt Grade 8 1/2"
17	10106	Complete Unit
18	10704	Seal Kit